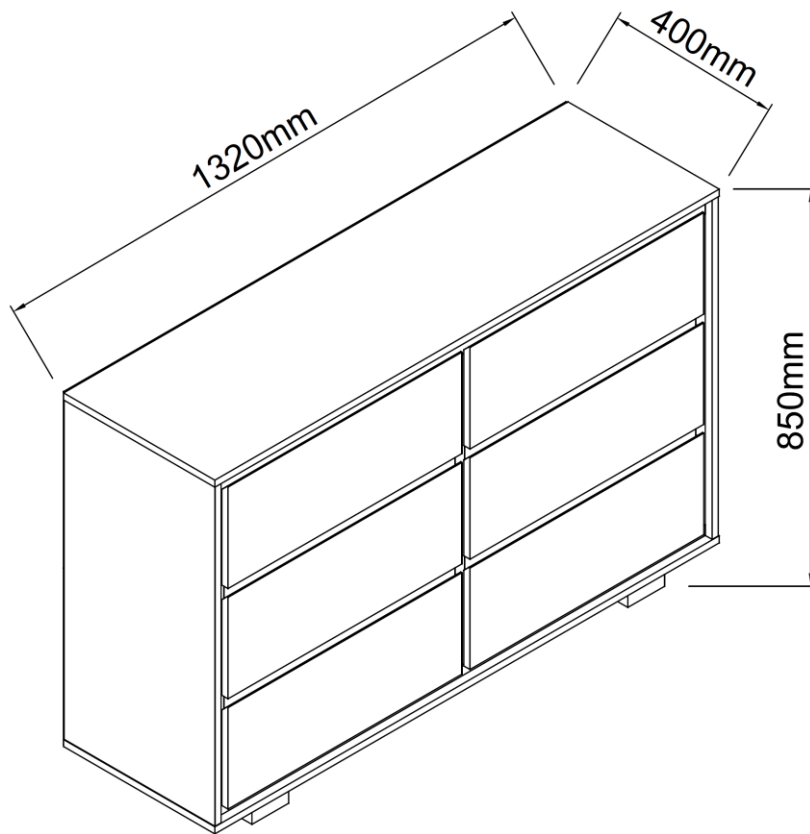


ASSEMBLY INSTRUCTION

NICHOLSON 6 DRAWER DRESSER

ITEM CODE 79180








Imported by JWA Furniture Pty Ltd, Brisbane, Qld Australia.
For any assistance with assembly or for missing parts please refer to your receipt

PRE-ASSEMBLY PREPARATION

Before you start:

1. Choose a clean, level, spacious assembly area. Avoid hard surfaces that may damage the product
2. Take care when lifting. Product should be assembled as near as possible to the point of use
3. Ensure that you have all required contents for complete assembly
4. Always read the assembly instructions carefully before beginning assembly.
5. Keep all hardware parts and packaging out of reach of small children.
6. Do not over tighten the screws and bolts as this may damage the threads
7. Assembly is to be carried out by a competent adult(s) ONLY
8. During assembly, children should be kept away from the product due to possible risk to injury.
9. Do not use this item if any components are missing or damaged.
10. Please keep the instructions for future reference.

	 X2	  
Allow 90 min	For 2 person	Additional tools required



TIPPING WARNING





Serious or fatal injuries may occur from furniture toppling over. To help avoid this please follow the below recommendations:

- Install the provided "Tipping Kit" as per the instructions
- Never allow children to climb on or hang off of any part of this product
- Unless specifically designed to accommodate, do not set TVs or other heavy objects on top of this product

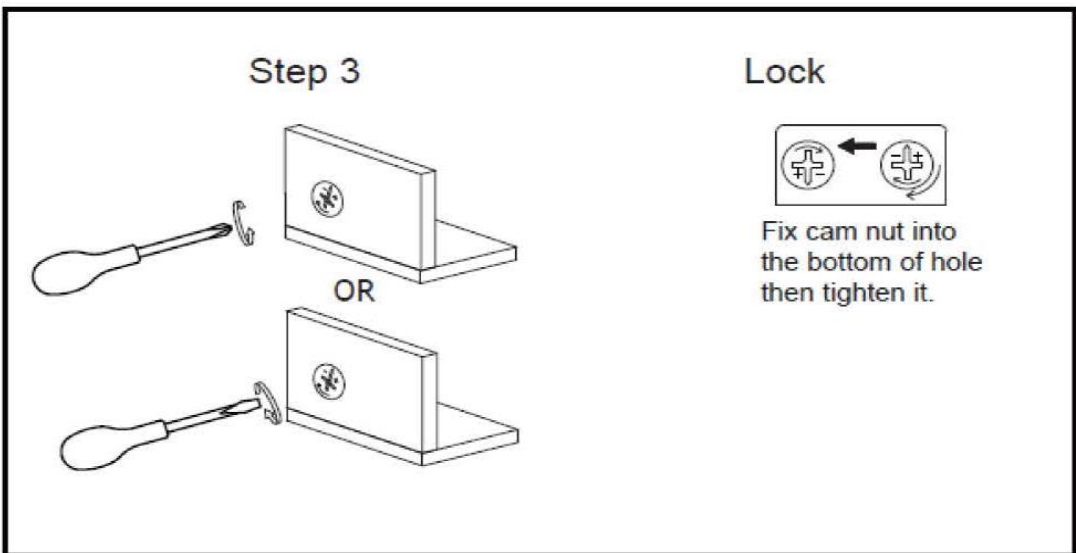
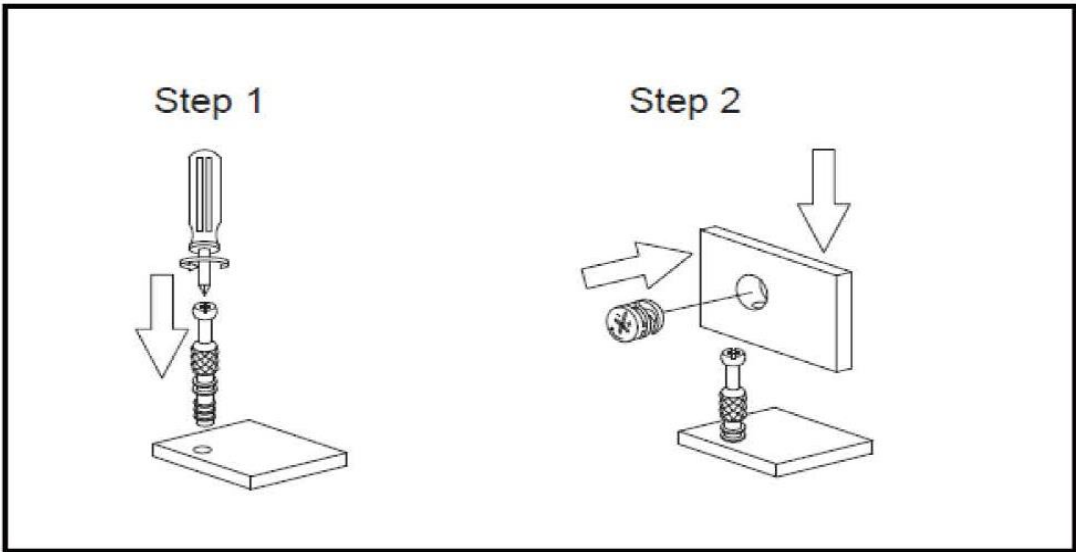
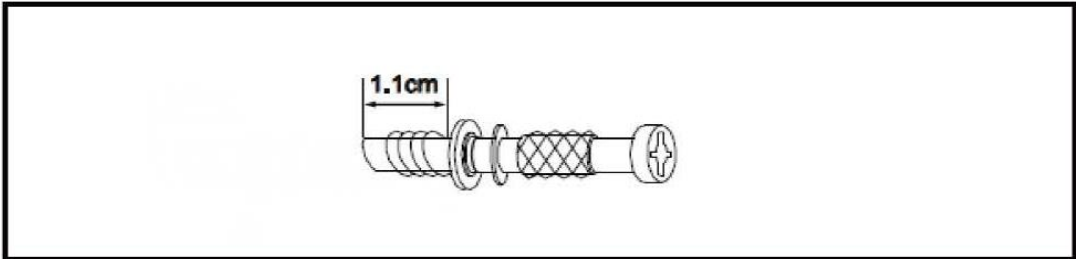
If this product has drawers:

- Place the heaviest items in lowest drawers
- Do not open more than 1 drawer at a time as this may cause the product to become unbalanced
- Do not tamper with or remove any drawer interlocking/running system

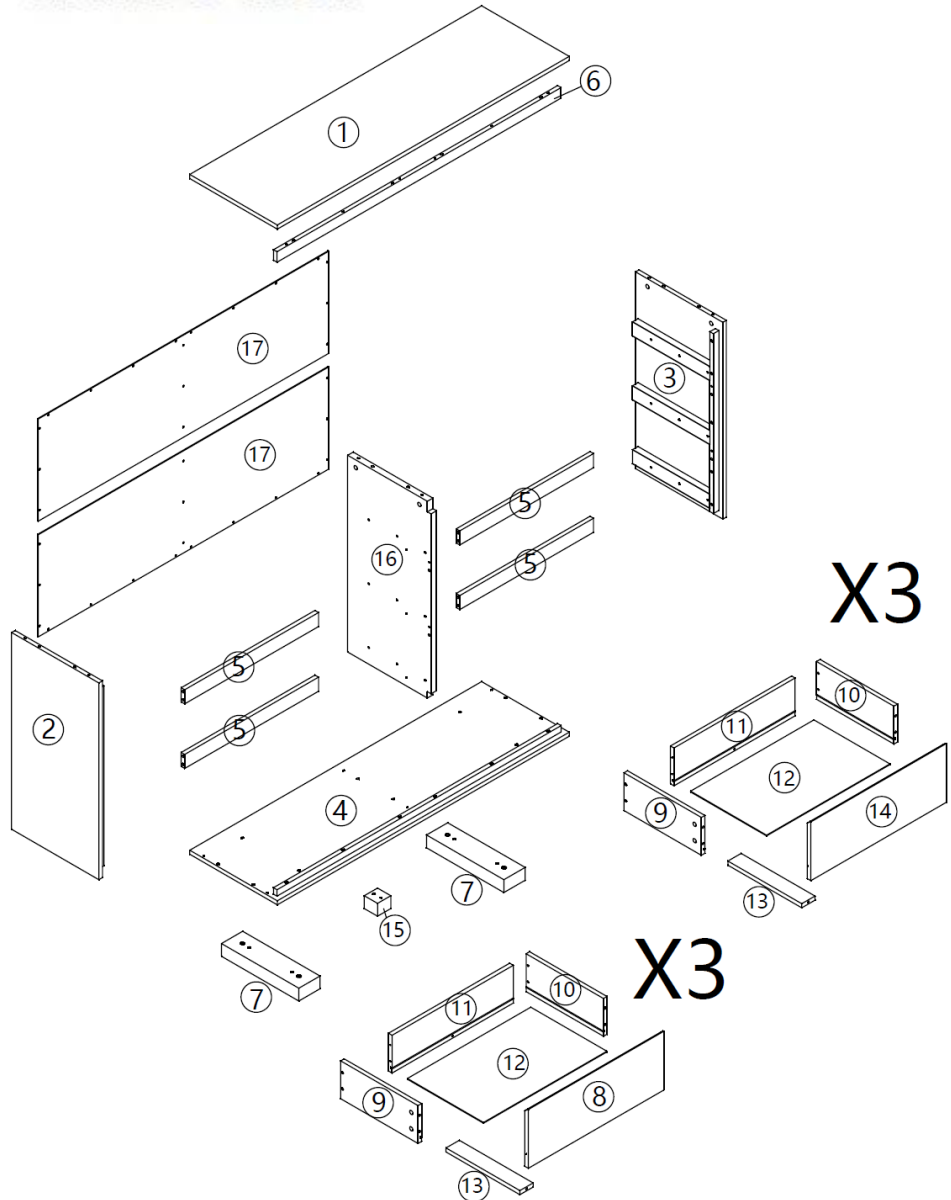
Note: The use of the provided "Tipping Kit" may reduce but not necessarily eliminate the risk of furniture toppling over. Please use this product with caution.

This is a permanent label. Do not attempt to remove!

CAM LOCK INSTALLATION







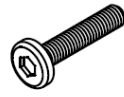
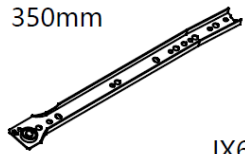
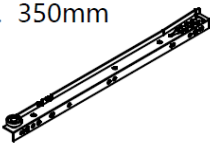
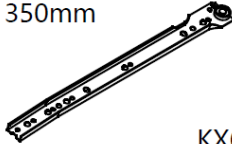
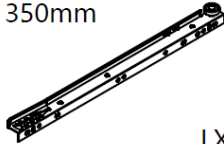


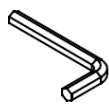



PARTS LIST

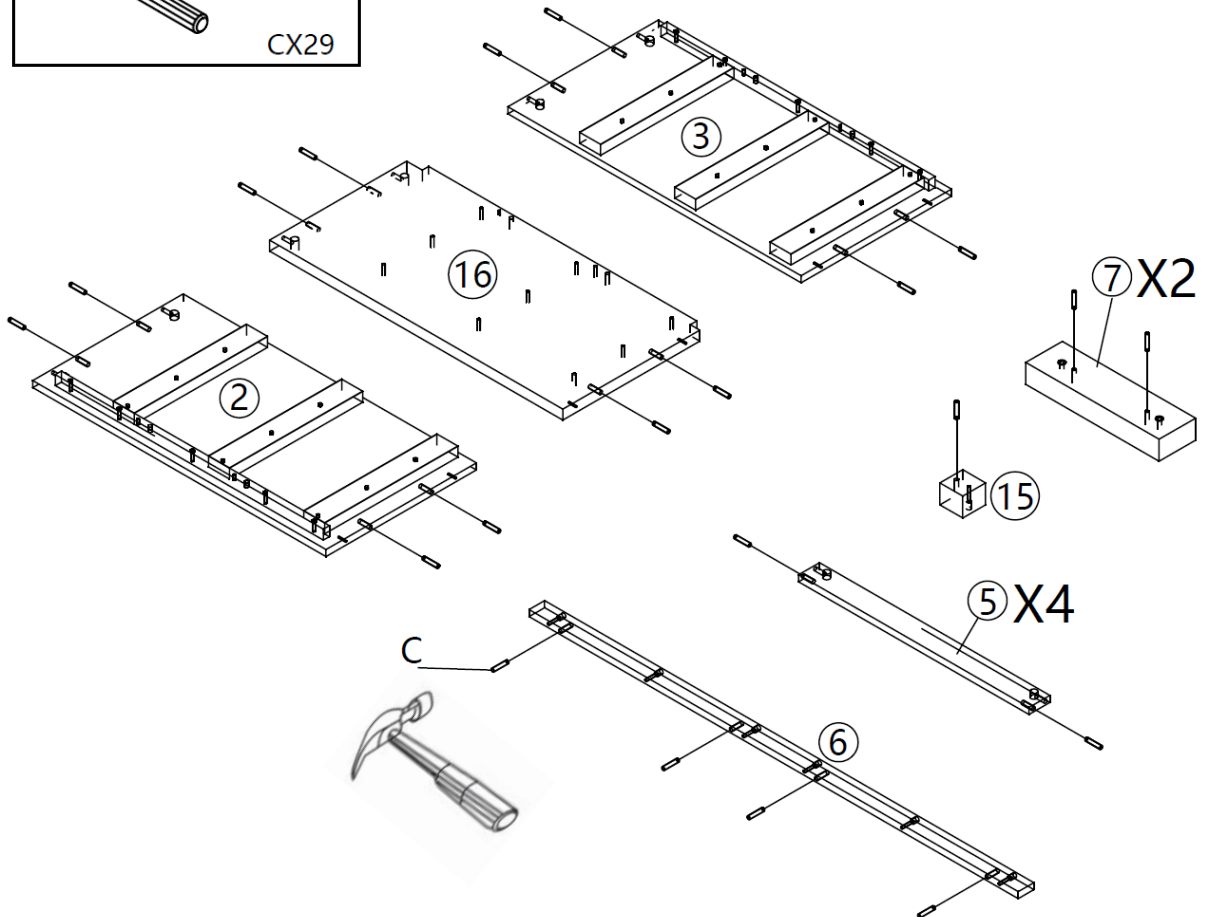
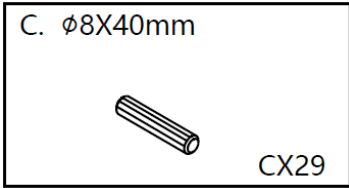


1	TOP BOARD
2	SIDE BOARD
3	SIDE BOARD
4	BOTTOM BOARD
5	SUPPORT BAR
6	SUPPORT BAR
7	LEG
8	DRAWER FRONT BOARD
9	DRAWER SIDE BOARD


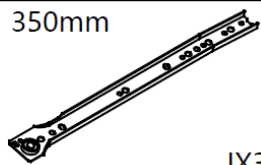
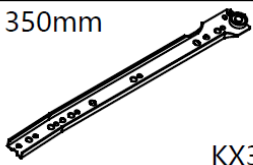
10	DRAWER SIDE BOARD
11	DRAWER BACK BOARD
12	DRAWER BOTTOM BOARD
13	DRAWER SUPPORT BAR
14	DRAWER FRONT BOARD
15	CENTRE SUPPORT
16	MIDDLE PANEL
17	BACK BOARD

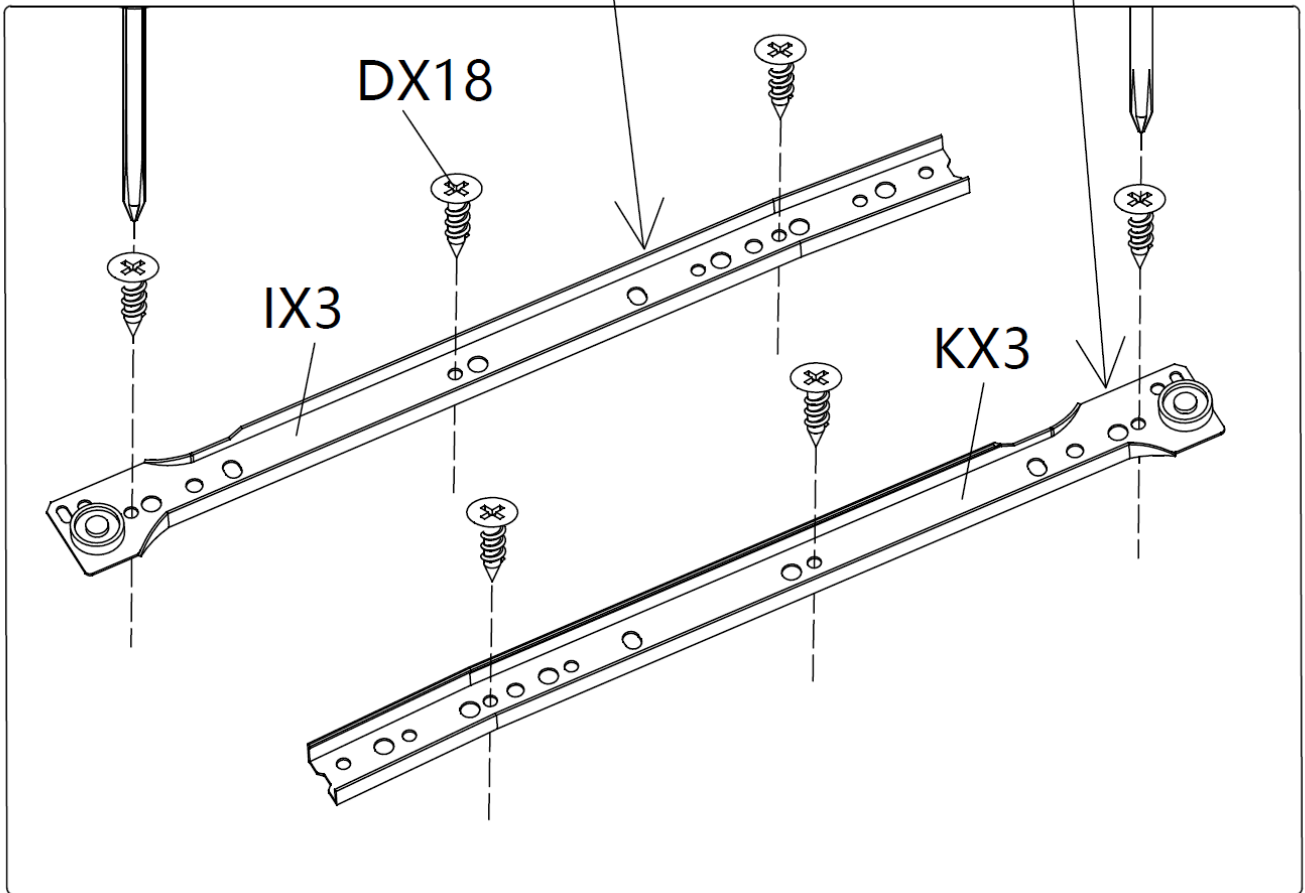
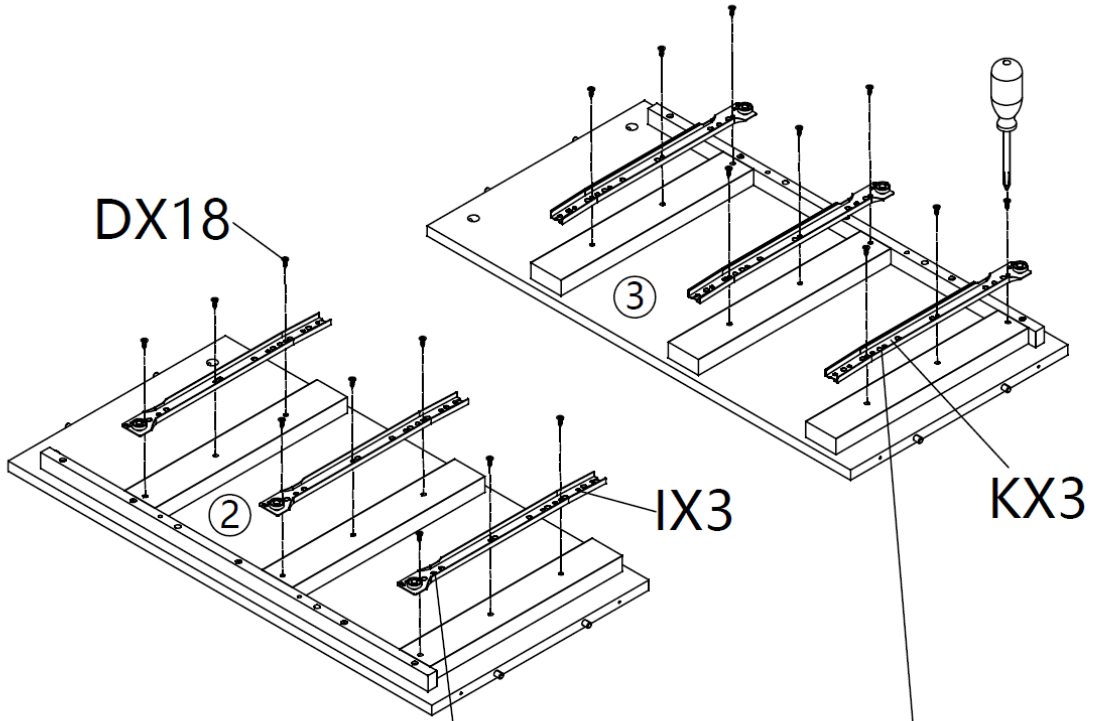
<p>A. $\phi 15 \times 12$</p>  <p>AX44</p>	<p>B. M7X39mm</p>  <p>BX44</p>	<p>C. $\phi 8 \times 40$mm</p>  <p>CX29</p>	<p>D. M4X14mm</p>  <p>DX60</p>
<p>E. M5X50mm</p>  <p>EX7</p>	<p>F. M4X15mm</p>  <p>FX34</p>	<p>G. M4X40mm</p>  <p>GX4</p>	<p>I. 350mm</p>  <p>IX6</p>
<p>J. 350mm</p>  <p>JX6</p>	<p>K. 350mm</p>  <p>KX6</p>	<p>L. 350mm</p>  <p>LX6</p>	<p>M. M5X40mm</p>  <p>MX36</p>
<p>N. 1310X12X6mm</p>  <p>IX1</p>	<p>P. M4</p>  <p>PX1</p>	<p>H.</p>  <p>M4X30mm M3.5X14mm</p>	

STEP 1:


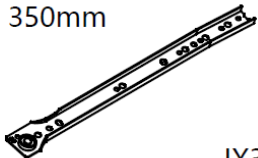
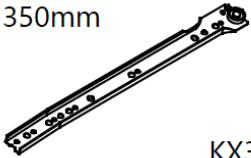


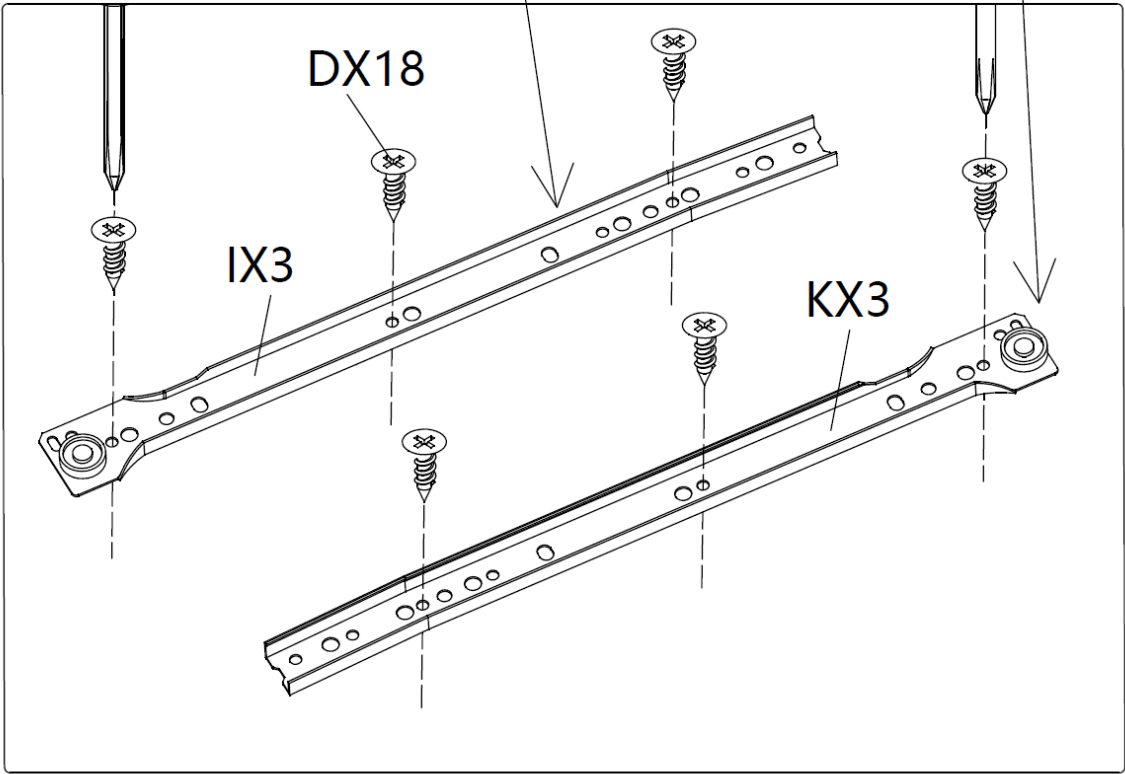
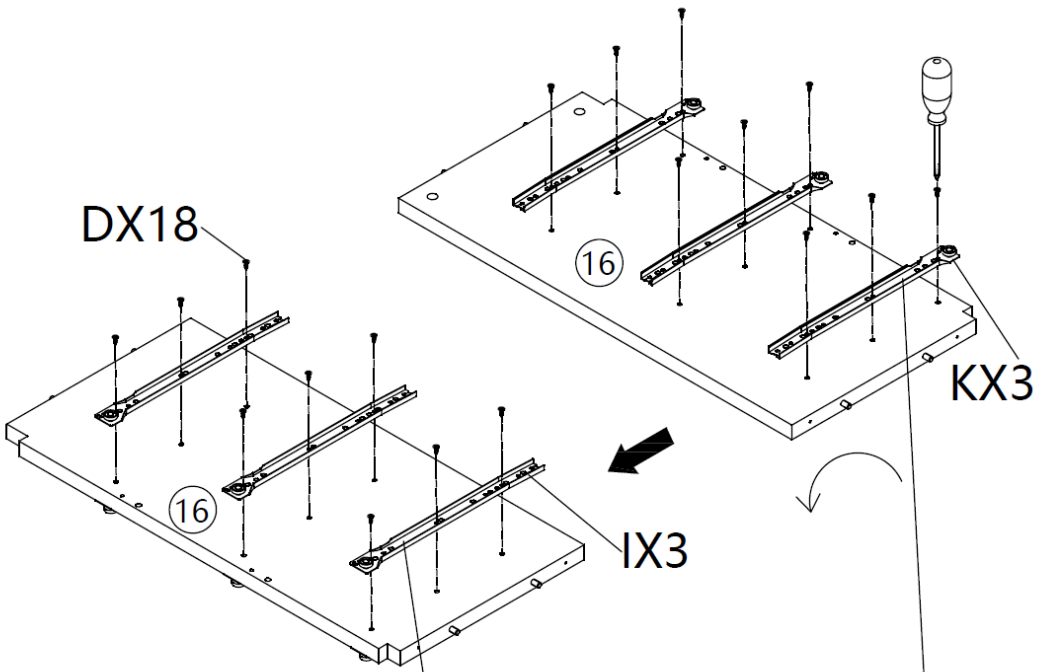
STEP 2:

D. M4X14mm  DX18	I. 350mm  IX3	K. 350mm  KX3
--	---	--



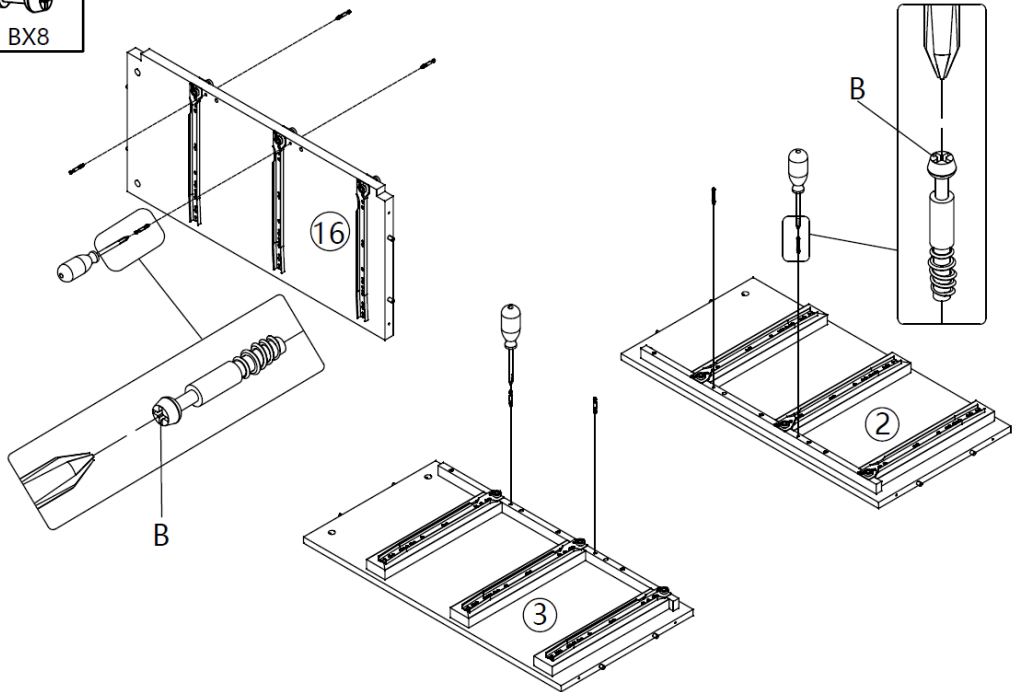

STEP 3:

D. M4X14mm  DX18	l. 350mm  IX3	K. 350mm  KX3
--	---	--



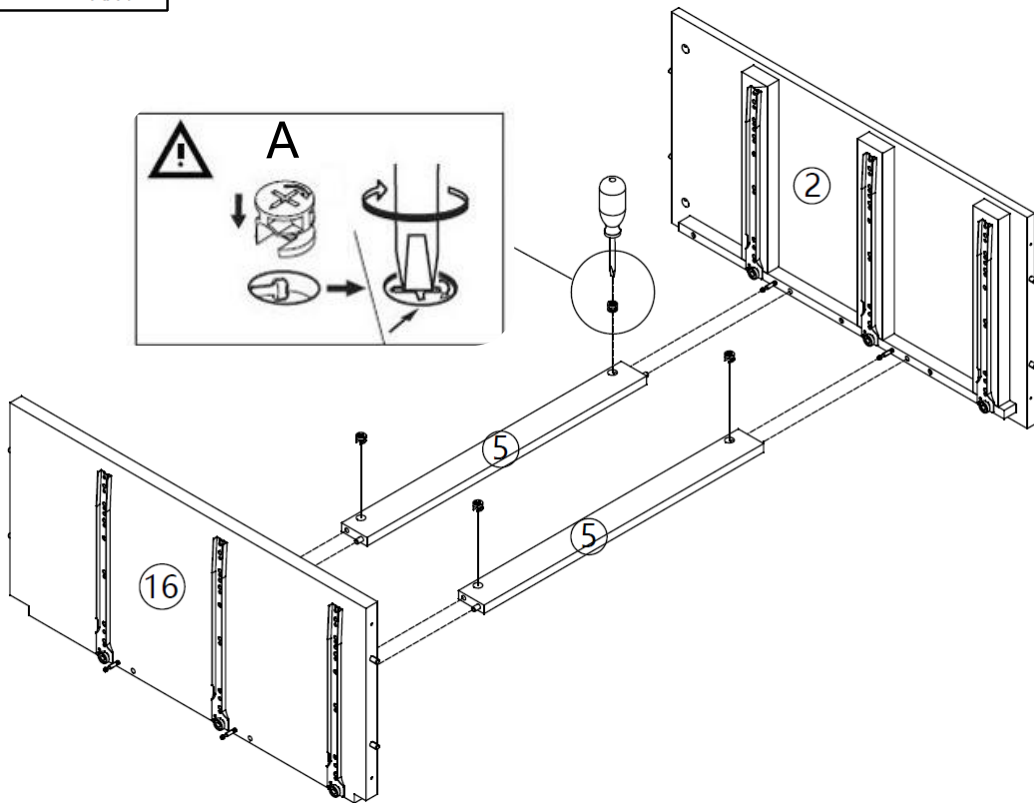

STEP 4:

B. M7X39mm
BX8

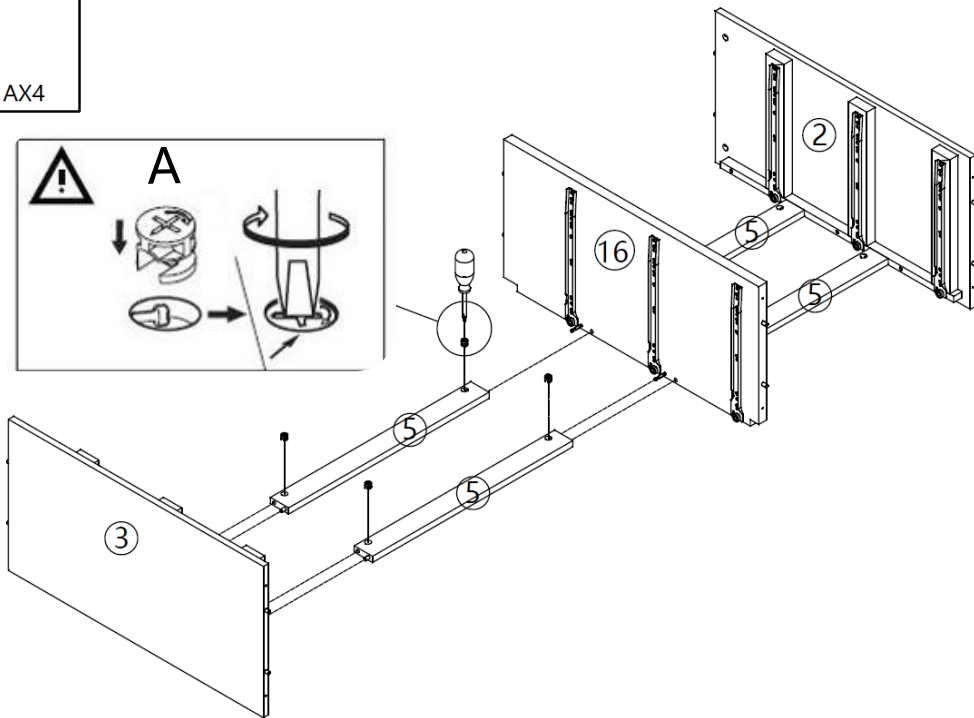
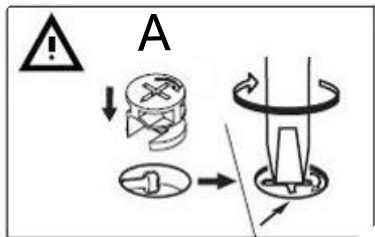
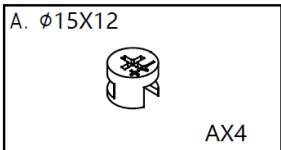


STEP 5:

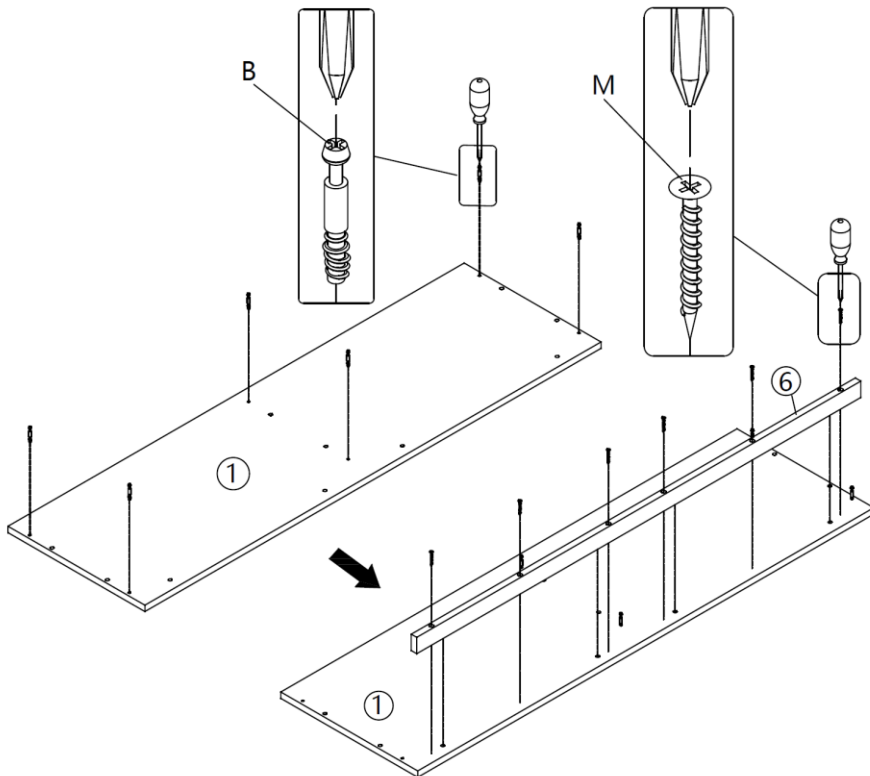
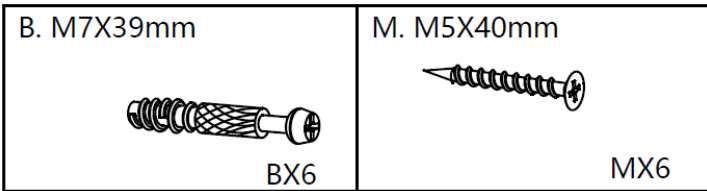
A. $\phi 15 \times 12$
AX4



STEP 6:



STEP 7:

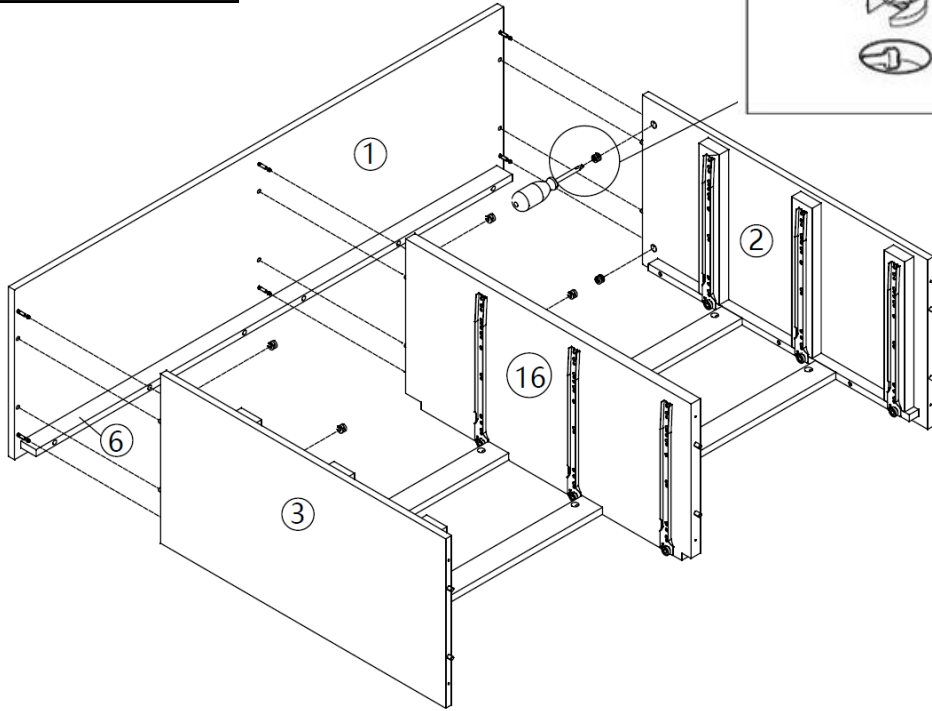
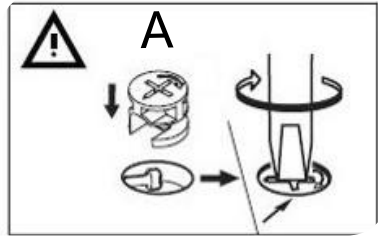


STEP 8:

A. $\phi 15 \times 12$



AX6



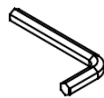
STEP 9:

G. M4X40mm

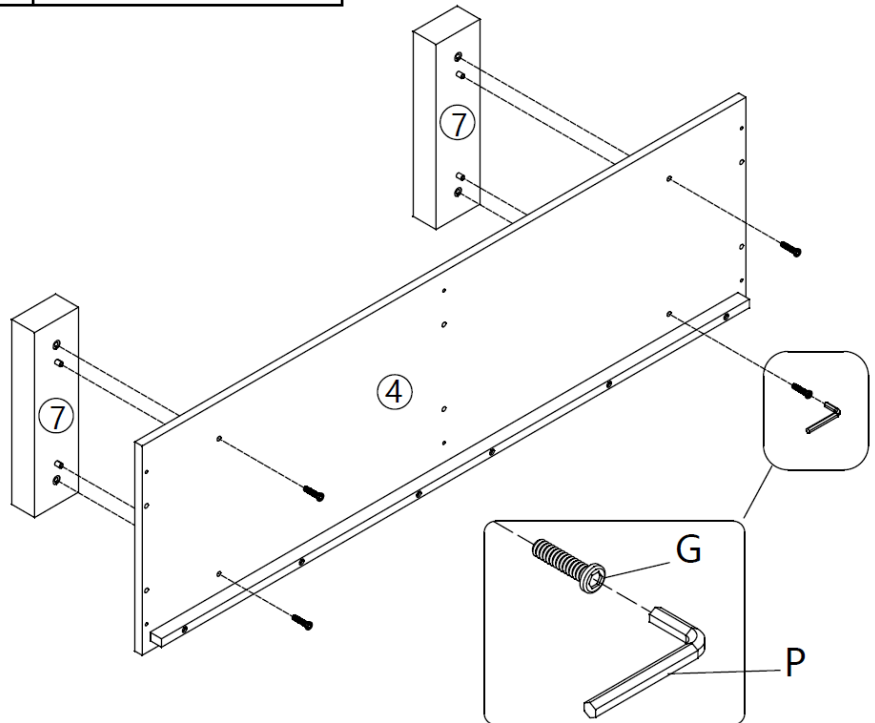


GX4

P. M4

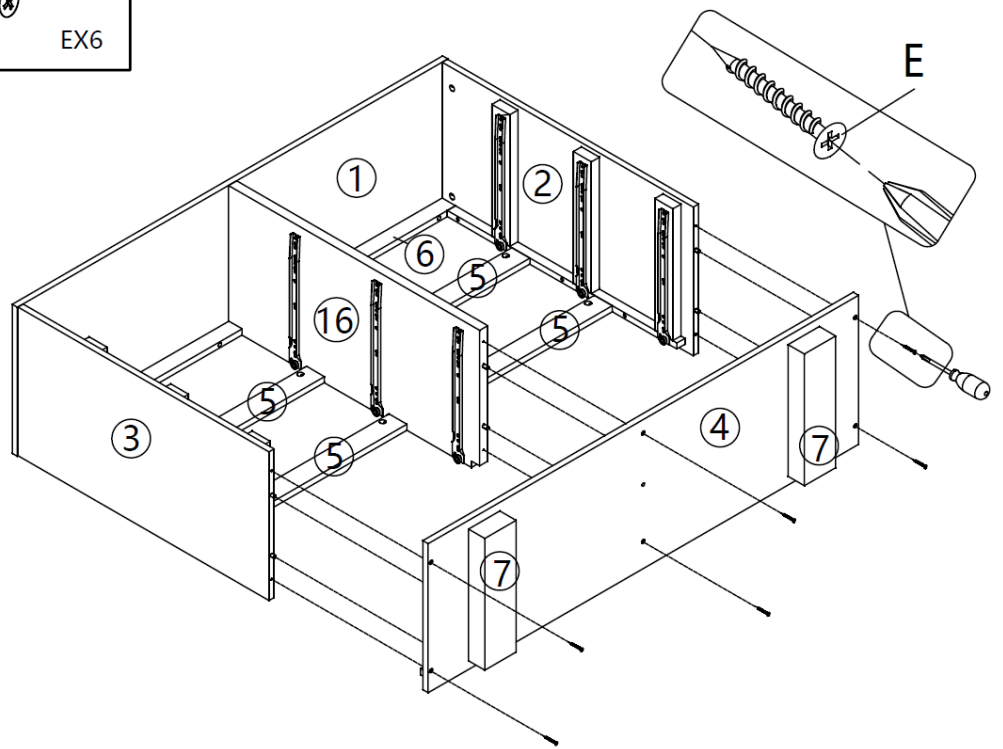



PX1



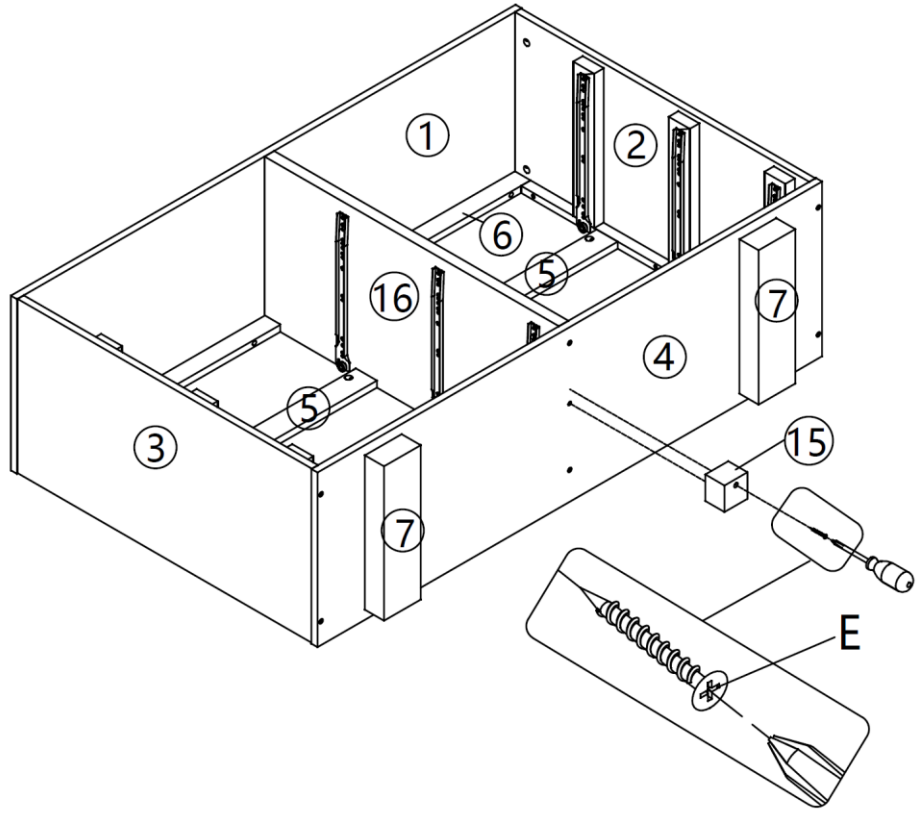

STEP 10:

E. M5X50mm
EX6



STEP 11:

E. M5X50mm
EX1

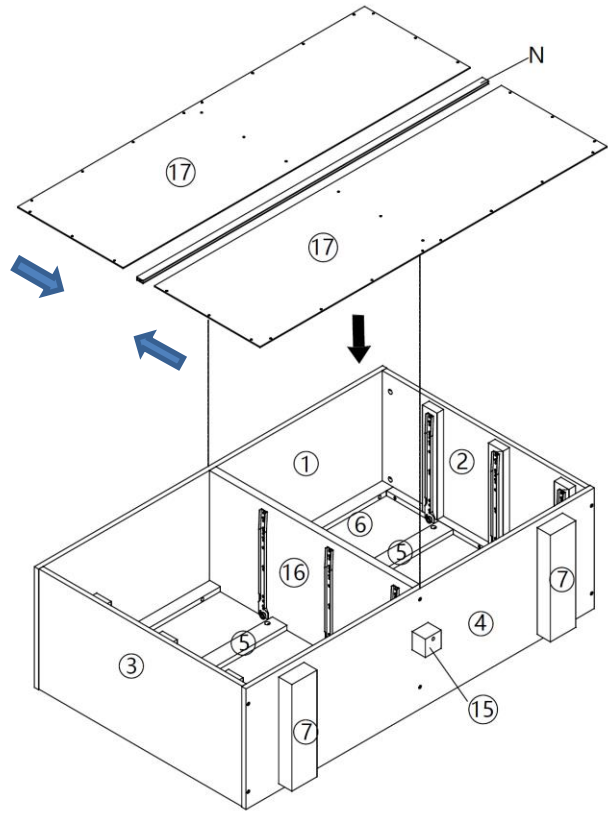


STEP 12:

N. 1310X12X6mm



IX1

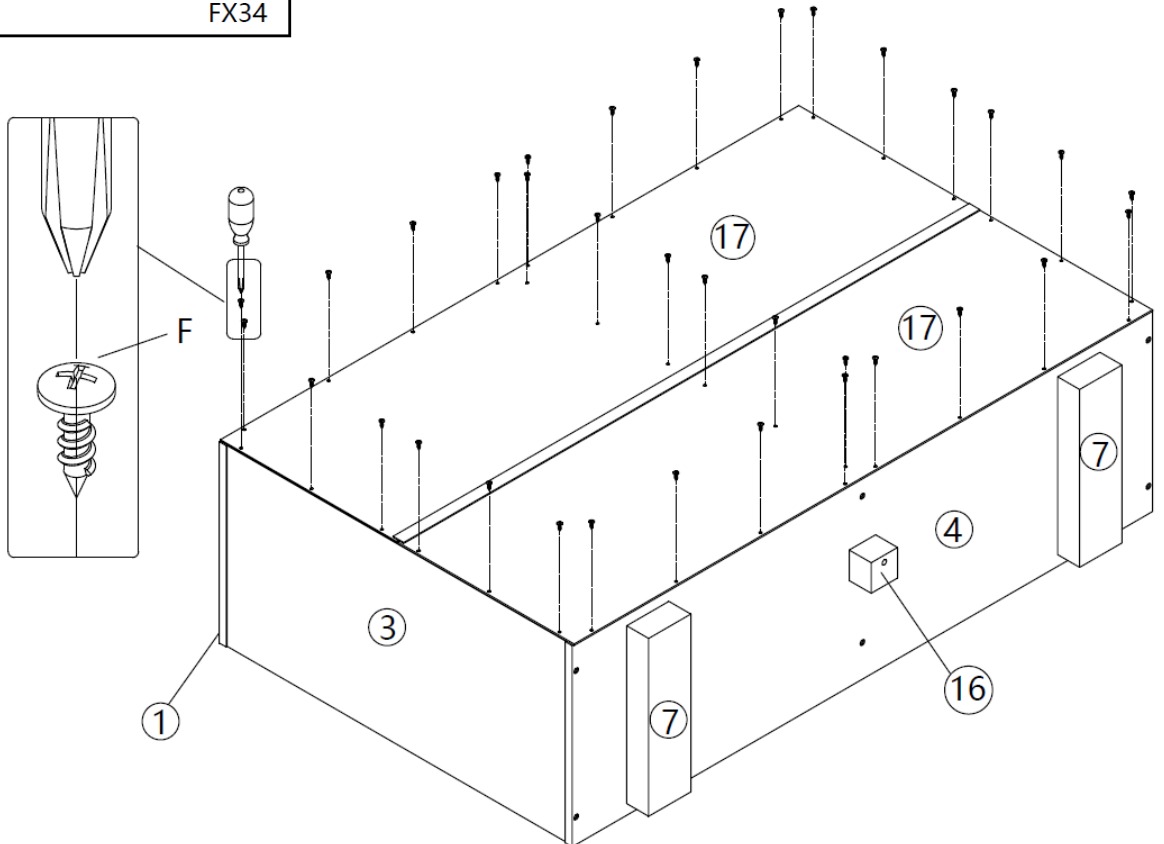


STEP 13:

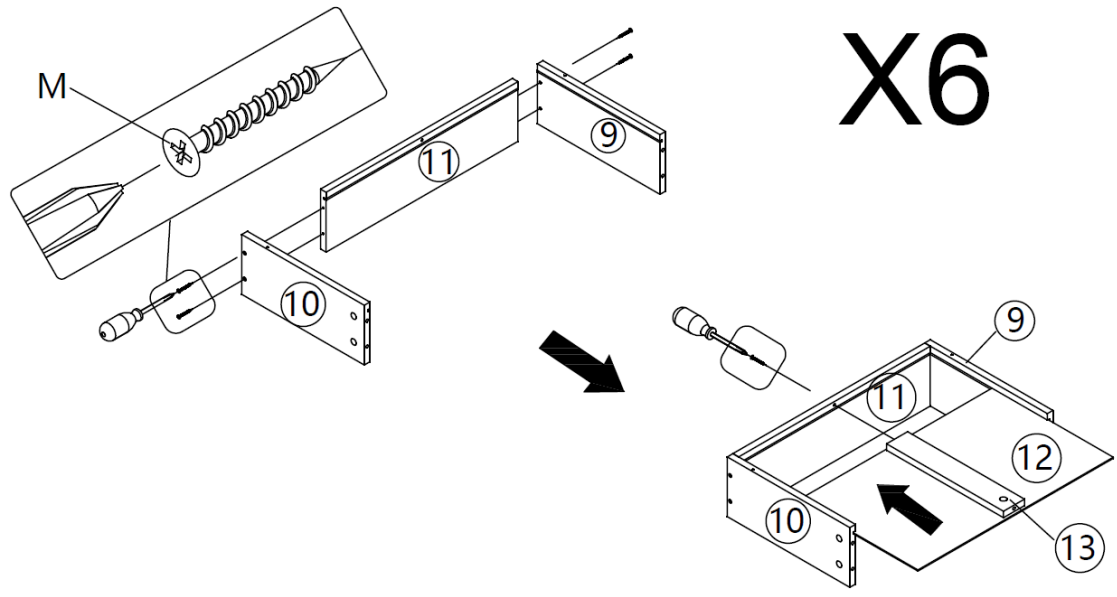
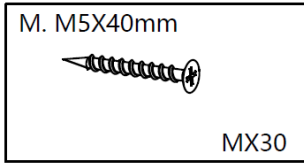
F. M4X15mm



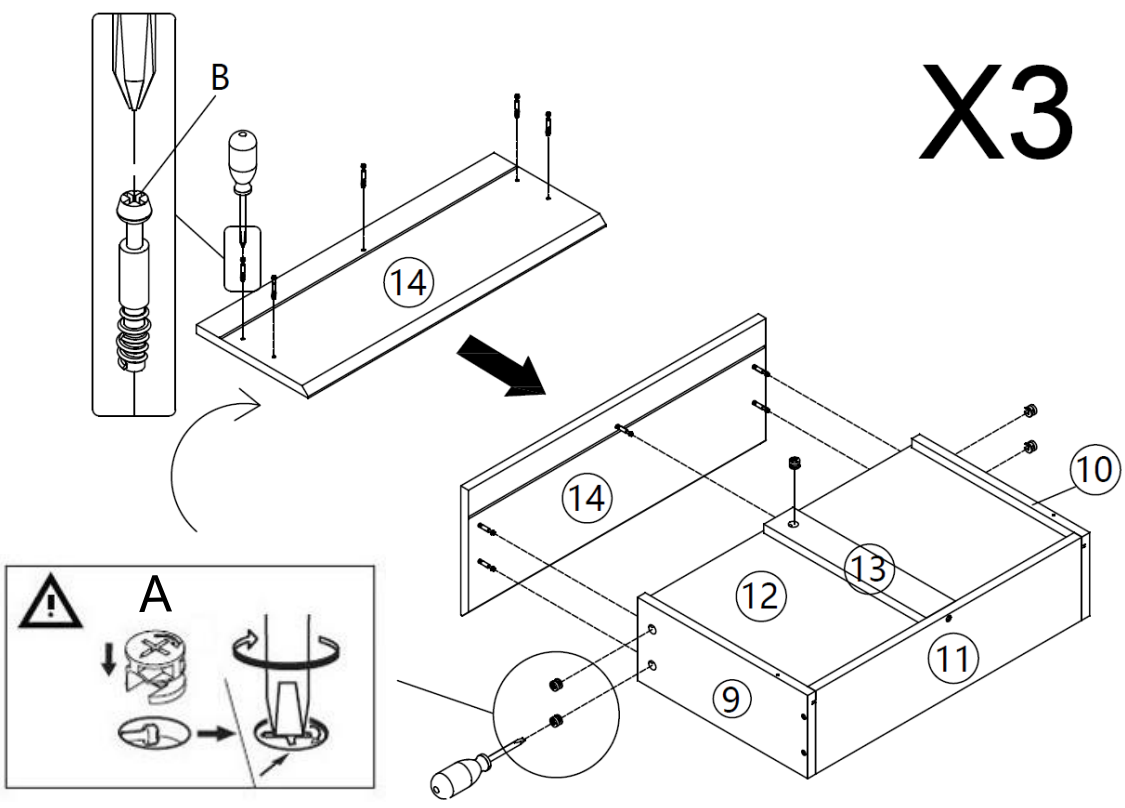
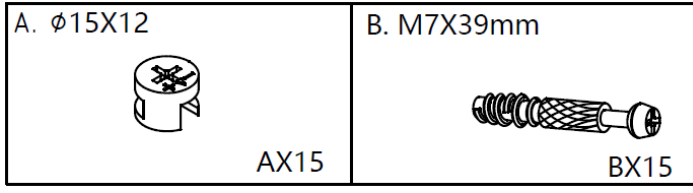
FX34



STEP 14:



STEP 15:



STEP 16:

A. $\phi 15 \times 12$

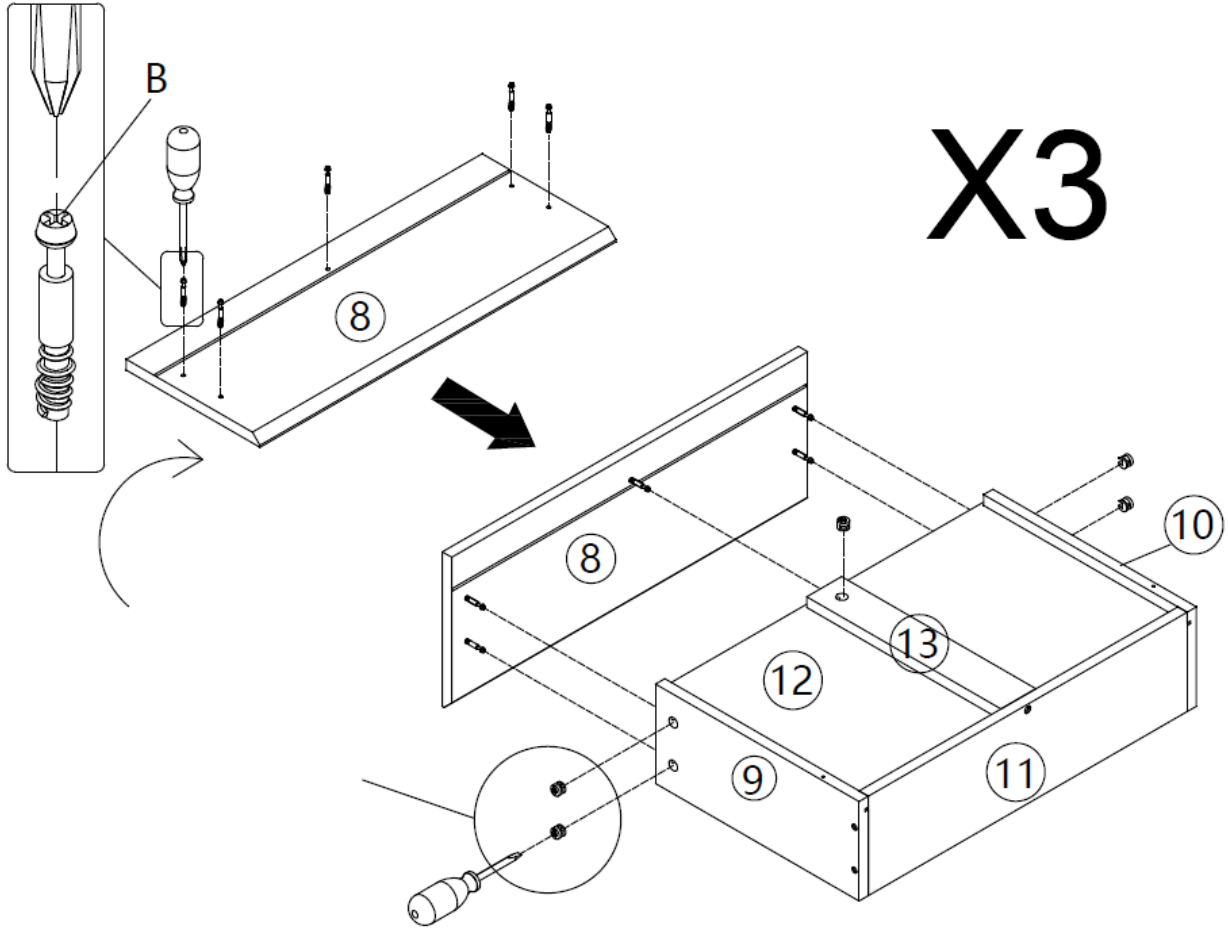


AX15


B. M7X39mm

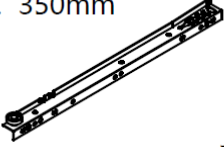


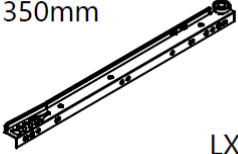
BX15



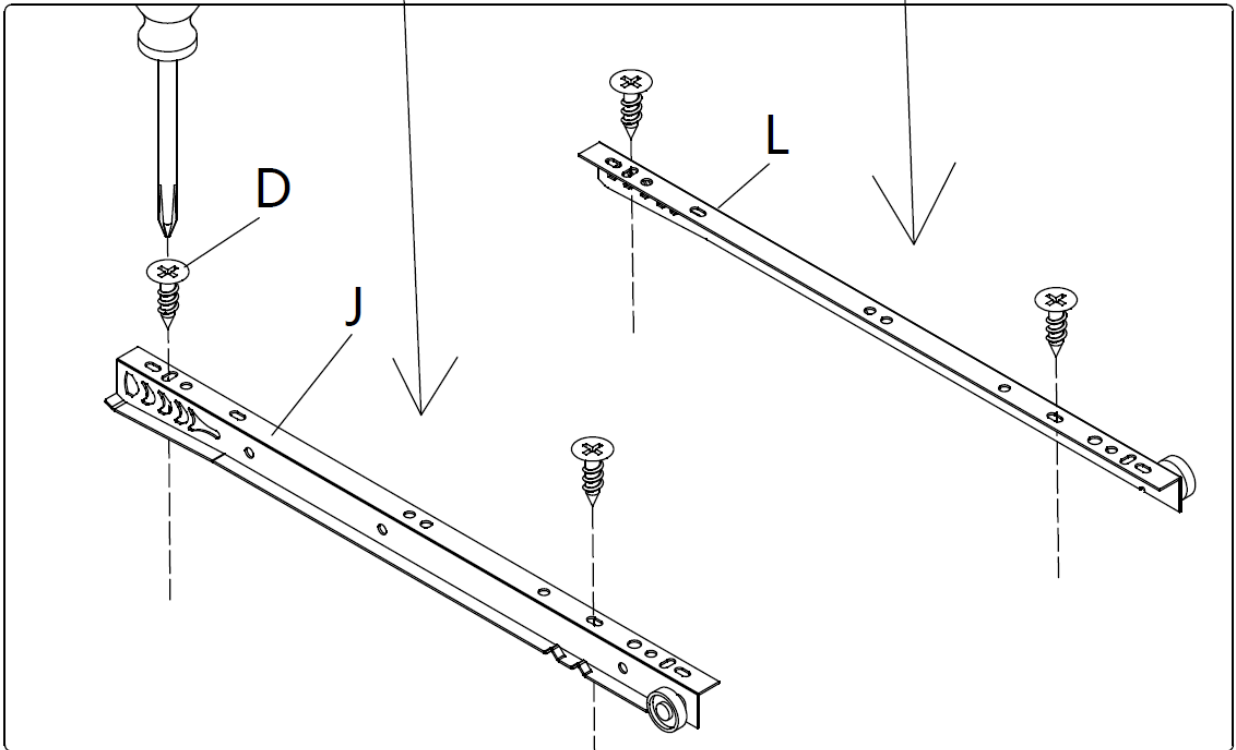
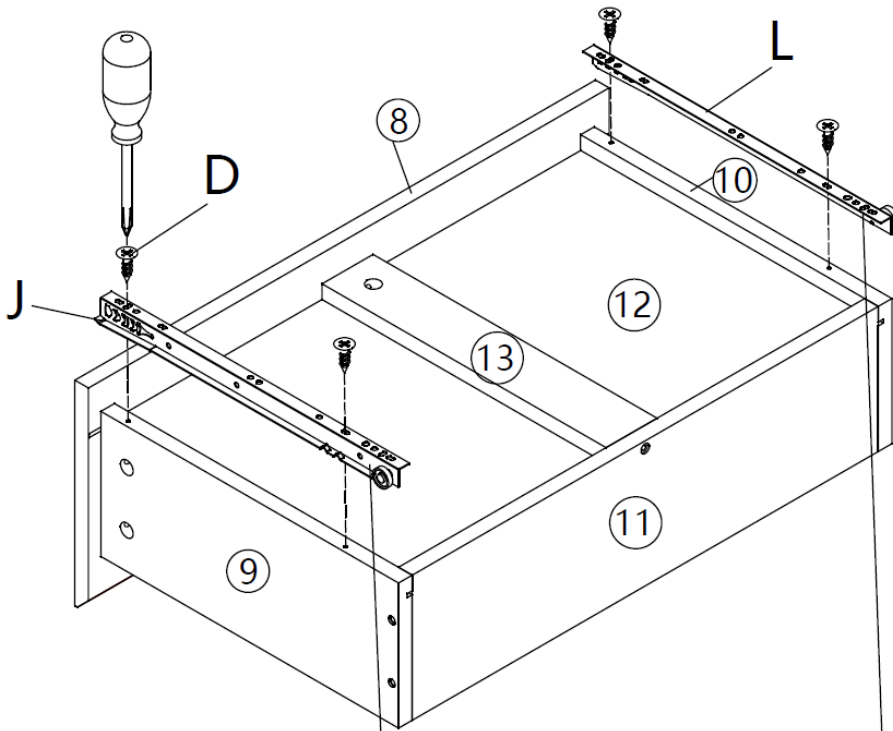
STEP 17:

D. M4X14mm

DX12


J. 350mm

JX3

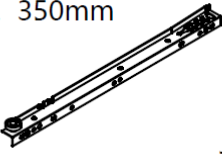
L. 350mm

LX3

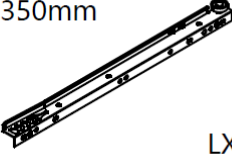
X3



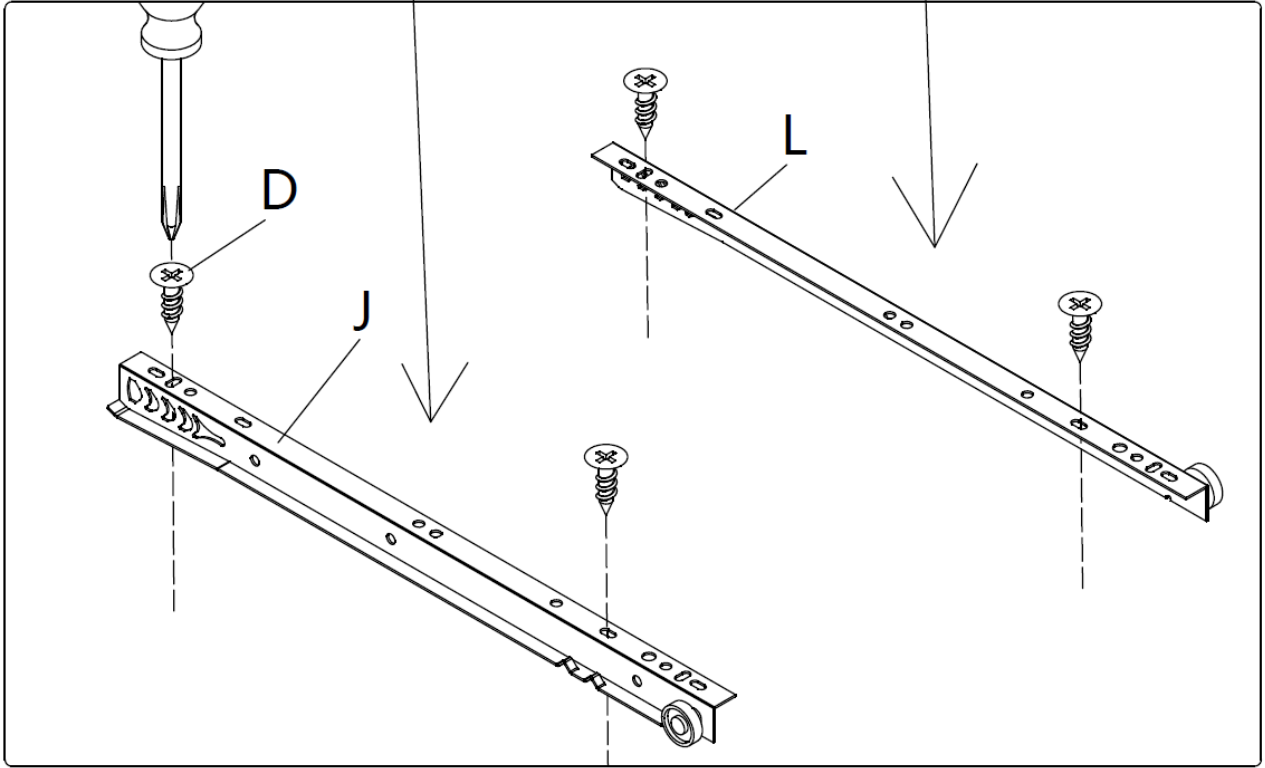
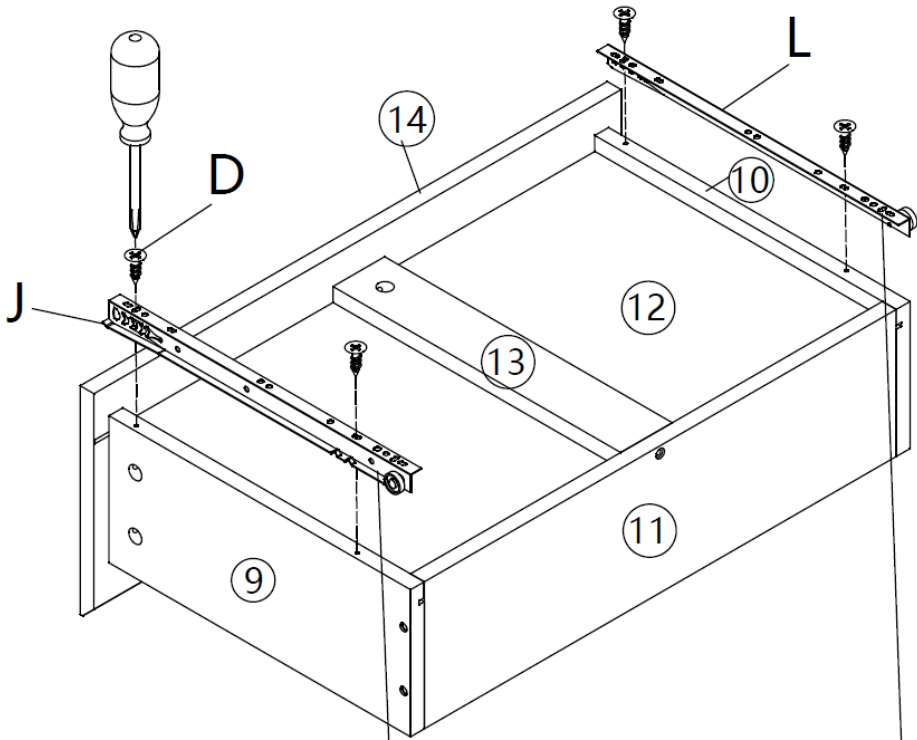
STEP 18:

D. M4X14mm

DX12

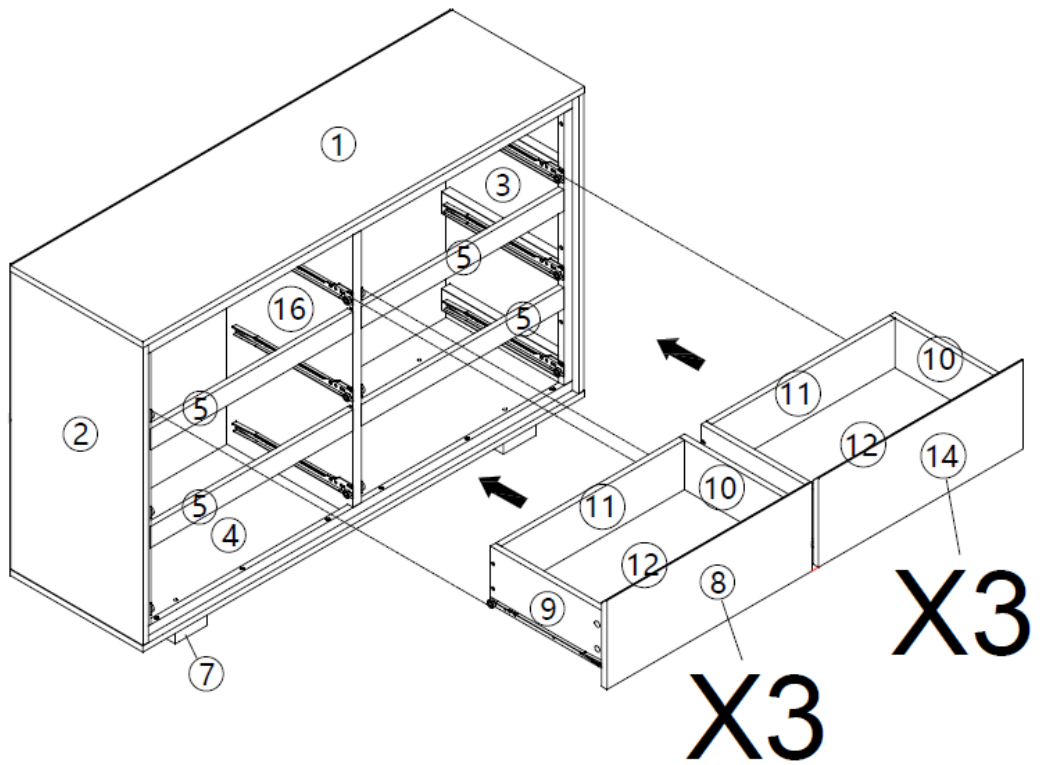
J. 350mm

JX3

L. 350mm

LX3

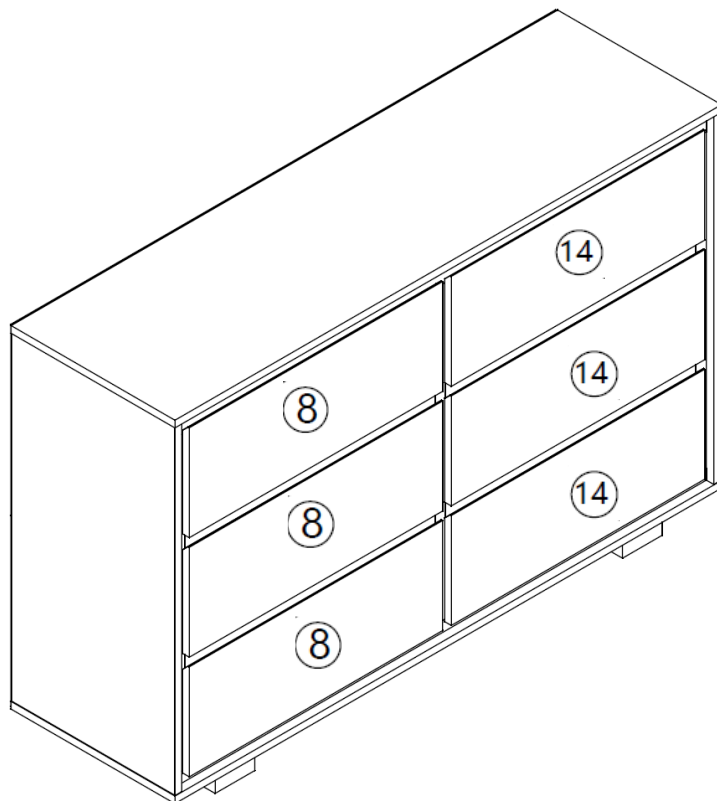
X3



STEP 19 ·

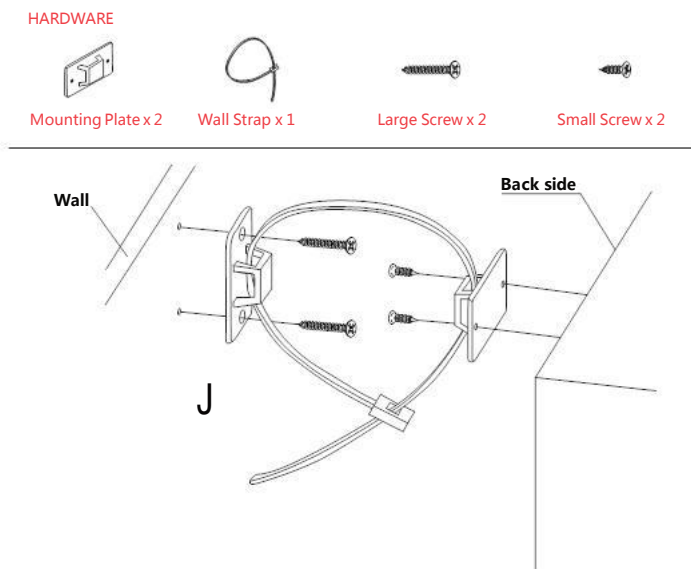


ASSEMBLY COMPLETE



SAFETY BRACKETS INSTRUCTIONS

1. Attach one Mounting Plate to the wall with the Large Screws. Make sure to attach the Mounting Plate into a stud. If mounting into brick or masonry you will need to acquire wall anchors.
2. Attach the second Mounting Plate to the furniture frame with the Short Screws.
3. Move the furniture to its final position. Thread a Wall Strap through the both Mounting Plates and tighten until snug. Do not over tighten.
4. Make sure that the Mounting Plates are firmly attached to the wall and furniture and that the Wall Strap is snug.



To protect your furniture, we suggest the following:

- Avoid placing your furniture in direct sunlight.
- Do not place furniture directly under windows.
- Do not place sharp materials (knife, fork, etc.) directly onto your furniture as sharp material may scrape and damage the finish.
- Do not place material with high temperature directly onto the surface of your furniture.
- Clean up spills quickly. Water left over a prolonged period of time may cause damage. Alcohol, perfume, nail polishes, aftershave and some medication may cause severe finish damage if not cleaned immediately.
- Use a clean, soft, dry, lint free absorbent cloth to clean your furniture. Do not use any detergent as they may contain ingredients that may react and damage the finish.

NOTE: If the above care advise is not adhered to your product warranty may become void